

Not Applicable Certificate for Export Regulations

In recent years, when exporting products such as machinery, products that are exported incorporating Fintech heaters has increased, as a result, sometimes “Not applicable certificate” is being requested for export restrictions

There is no standard form available for “Not applicable certificate”, and each company independently create their own form.

Fintech can prepare following “Not applicable certificate” according to your request. This certificate is not for each Company’s product but it is applied to the entire product series. Therefore, print the “Not applicable certificate” of the product series containing the product for which the certificate is required.

If you need an official seal of our company, please request by e-mail. We will seal and mail the document.

1. “Not applicable certificate” for SAH series-----P-2
2. “Not applicable certificate” for CLH series-----P-3
3. “Not applicable certificate” for HSH series-----P-4
4. “Not applicable certificate” for Line heater series-----P-5
5. “Not applicable certificate” for QIR series-----P-6

Related to export regulation

Not applicable certificate

Director of Customs

Year

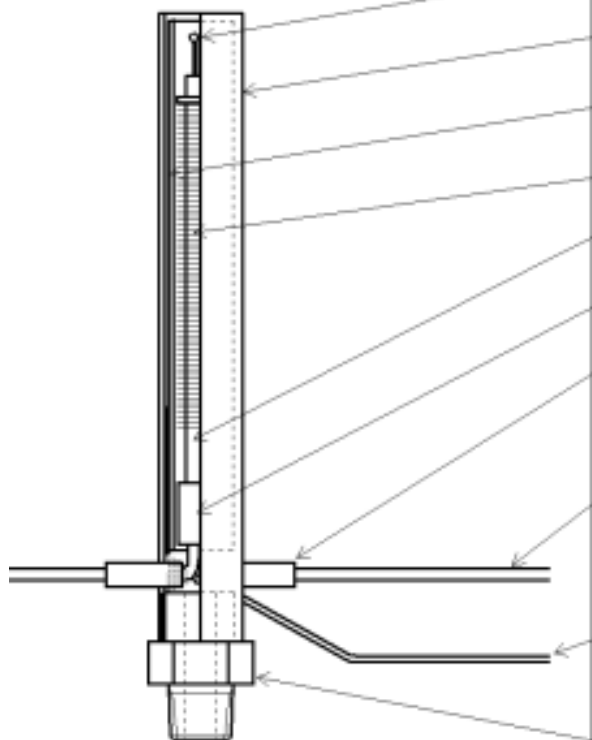
Limited Company Fintech
 Representative Director Shigeru
 Asada



1-13-5, Sakuragaoka-Higashimachi, Nishi-ku, Kobe, 651-2225
 Tel. 078-995-1774, Fax. 078-995-2929.
<http://www.fintech.co.jp>

This certificate is applicable to all types of clean hot air heater "CLH Series" of this Company.

SAH Series basic structure



The SAH series is a heater that electrically heats air, and there are various specifications, but the basic structure is almost the same.

Not applicable judgement			
	Name	Material quality	Judgment
①	Thermocouple	K type (C-A)	Not applicable Excluded from regulation under annex table 1 of exports order
②	Metal case	Stainless SUS304	
③	Heating pipe	Quartz glass	
④	Heating element	Steel - chrome - aluminum - alloy	
⑤	Insulation pipe	Alumina ceramic	
⑥	Base	Steatite	
⑦	Insulation rubber	Silicon rubber	
⑧	Adhesive	Silicon rubber system	
⑨	Power source lead wire	Conductor: tin-plated copper wire Insulation: Silicon rubber and glass cross	
⑩	Sensor lead wire	Conductor: K Thermocouple (C-A) Insulation: Glass cross	
⑪	Air inlet brackets	Nickel plated product for brass as standard Commercially available products are used in case of one touch coupling Example: Pisco company PMF-01	

* Use of asbestos in all our products is zero

Related to export regulation

Not applicable certificate

Director of Customs

Year

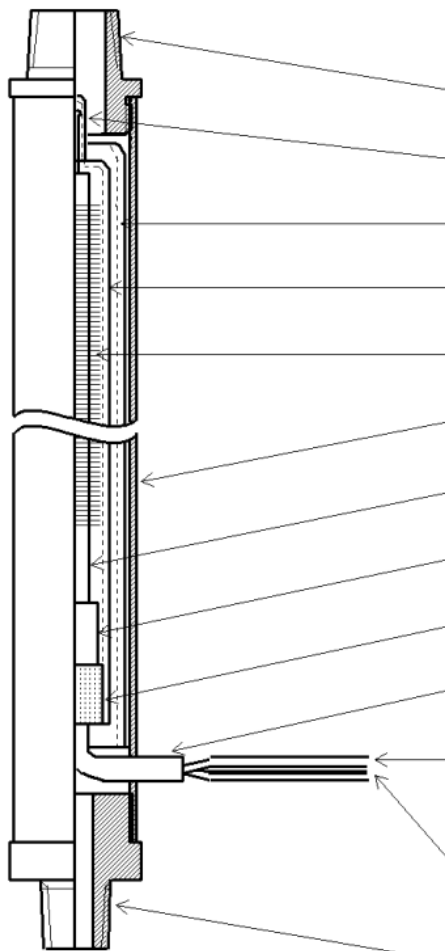
Limited Company Fintech
 Representative Director Shigeru
 Asada



1-13-5, Sakuragaoka-Higashimachi, Nishi-ku, Kobe, 651-2225
 Tel. 078-995-1774, Fax. 078-995-2929.
<http://www.fintech.co.jp>

This certificate is applicable to all types of clean hot air heater "CLH Series" of this Company.

CLH Series basic structure



The CLH series is a heater that heats air and it generates less dust.

Not applicable judgement			
	Name	Material quality	Judgment
①	Air outlet	Stainless SUS304	Not applicable Excluded from regulation under annex table 1 of exports order
②	Temperature sensor	K Thermocouple (C-A)	
③	Heating outer pipe	Quartz glass	
④	Heating inner pipe	Quartz glass	
⑤	Heating element	Steel – chrome – aluminum - alloy	
⑥	Metal case	Stainless SUS304	
⑦	Insulation pipe	Alumina ceramics	
⑧	Base	Steatite	
⑨	Heat resistant rubber plug	Silicon rubber or fluorine rubber	
⑩	Heat resistant rubber pipe		
⑪	Power source lead wire	Conductor: tin-plated copper wire Insulation: fluororesin	
⑫	Sensor lead wire	Conductor: K Thermocouple (C-A) Insulation: fluororesin	
⑬	Air inlet brackets	Standard nickel plated product for brass	
⑭	Adhesive	Silicon rubber or fluorine rubber	

* Use of asbestos in all our products is zero

Related to export regulation

Not applicable certificate

Director of Customs

Year

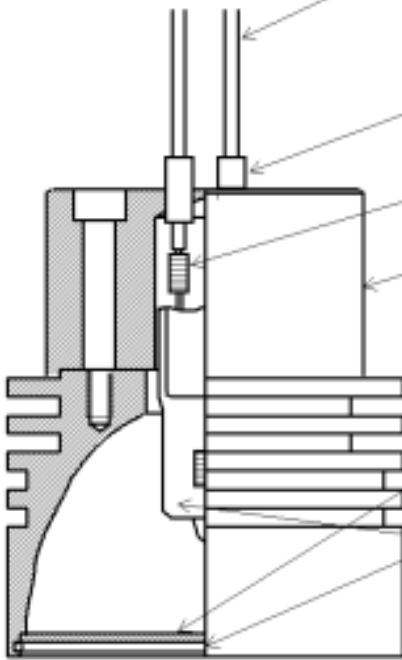
Limited Company Fintech
 Representative Director Shigeru
 Asada



1-13-5, Sakuragaoka-Higashimachi, Nishi-ku, Kobe, 651-2225
 Tel. 078-995-1774, Fax. 078-995-2929.
<http://www.fintech.co.jp>

This certificate is applicable to all types of clean hot air heater "CLH Series" of this Company.

HSH Series basic structure



Not applicable judgement

	Name	Material quality	Judgment
①	Power source lead wire	Conductor: tin-plated copper wire Insulation: Fluororesin or silicon rubber and glass cross	Not applicable Excluded from regulation under annex table 1 of exports order
②	Heat resistant rubber tube	Fluororesin or silicon rubber and glass cross	
③	Welding medium	Nickel	
④	Lamp base	Aluminum	
⑤	Mirror Base	Gold plated aluminum	
⑥	Front glass	Borosilicate glass or Quartz glass	
⑦	Glass retainer	Stainless SUS 304	
⑧	Halogen lamp	Quartz glass, tungsten, molybdenum. Argon gas and a trace amount (about 300 ppm) of bromine compound as the filled gas.	

* Use of asbestos in all our products is zero

Related to export regulation

Not applicable certificate

Director of Customs

Year
 Limited Company Fintech
 Representative Director Shigeru
 Asada



1-13-5, Sakuragaoka-Higashimachi, Nishi-ku, Kobe, 651-2225
 Tel. 078-995-1774, Fax. 078-995-2929.
<http://www.fintech.co.jp>

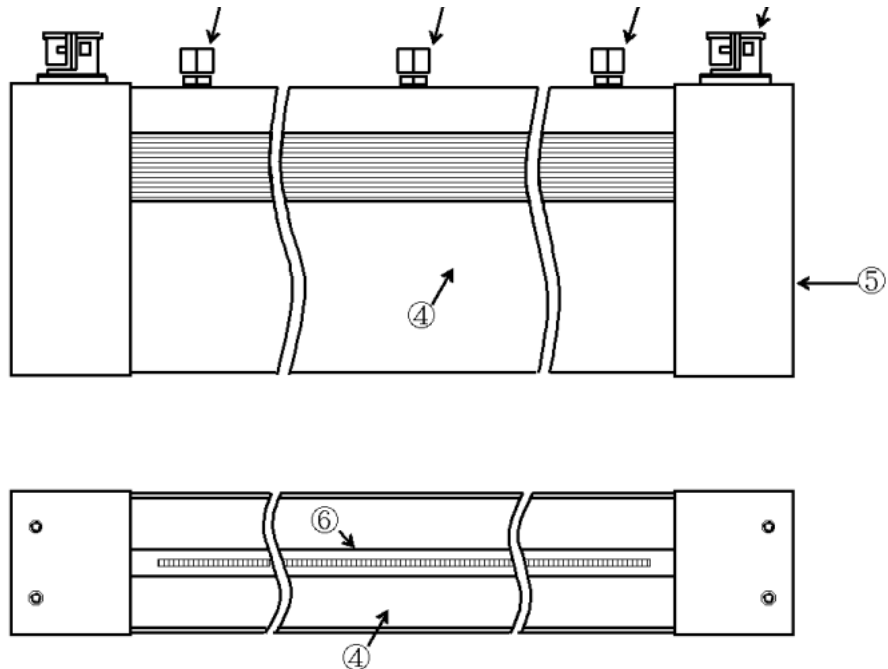
This certificate is applicable to all products of "Halogen line heater LHW and NIL series" of Fintech.

Not applicable judgement			
	Name	Material quality	Judgment
1	Cooling water outlet and inlet	Nickel plating on brass. Commercially available parts.	Excluded from regulation under annex table 1 of exports order
2	Air supply port	Nickel plating on brass. Commercially available parts.	
3	Electric wire port	Brass or rubber. Commercially available parts.	
4	Mirror	Aluminum. As a special specification, metal plating process is added.	
5	Terminal box	Aluminum or stainless (SUS-304)	
6	Halogen lamp	Quartz glass, tungsten, molybdenum, argon gas and a trace amount (about 300 ppm) of bromine compound as the filled gas.	

Basic structure of halogen line heater series.

The line heater series focuses the light of a halogen lamp linearly and heats, and has various specifications but the basic structure is the same.

* Use of asbestos in all our products is zero



Related to export regulation

Not applicable certificate

Director of Customs

Year

Limited Company Fintech

Representative Director Shigeru

Asada



1-13-5, Sakuragaoka-Higashimachi, Nishi-ku, Kobe, 651-2225

Tel. 078-995-1774, Fax. 078-995-2929.

<http://www.fintech.co.jp>

This certificate is applicable to all products of "Halogen lamp heater QIR series" of Fintech.

Not applicable judgement			
	Name	Material quality	Judgment
1	Enclosure	Quartz glass	Excluded from regulation under annex table 1 of exports order
2	Heating element	Tungsten	
3	Filled gas	Argon gas and a trace amount (about 300 ppm) of bromine compound	
4	Base	Steatite (Ceramic)	
5	Power supply lead wire	Conductor: Tin-plated copper wire Insulation: Silicon rubber and glass cross	
6	Adhesive	Alumina - Silica system	

Halogen lamp heater QIR series basic structure



Halogen lamp heater QIR series is a product that uses halogen lamp as a heater and the basic structure and materials are the same as halogen lamps used for general lighting.

* Use of asbestos in all our products is zero